

Fig. 1

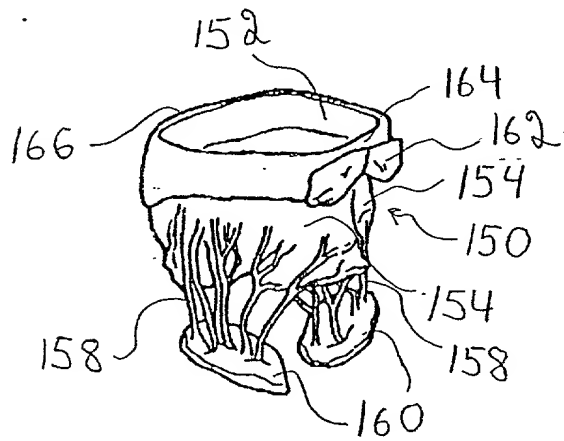


Fig. 2

Fig. 3

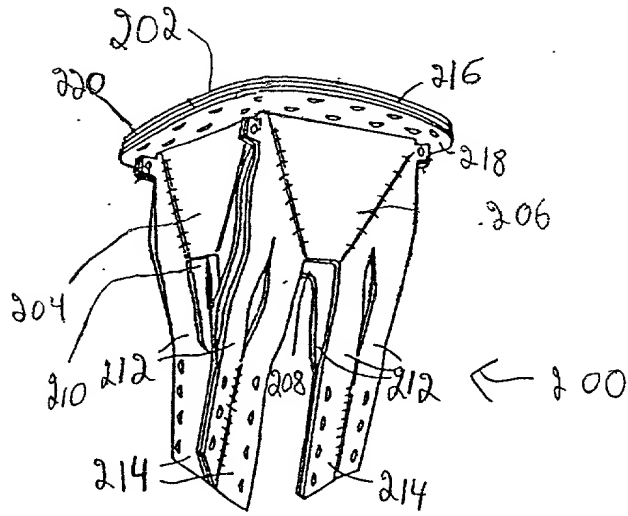
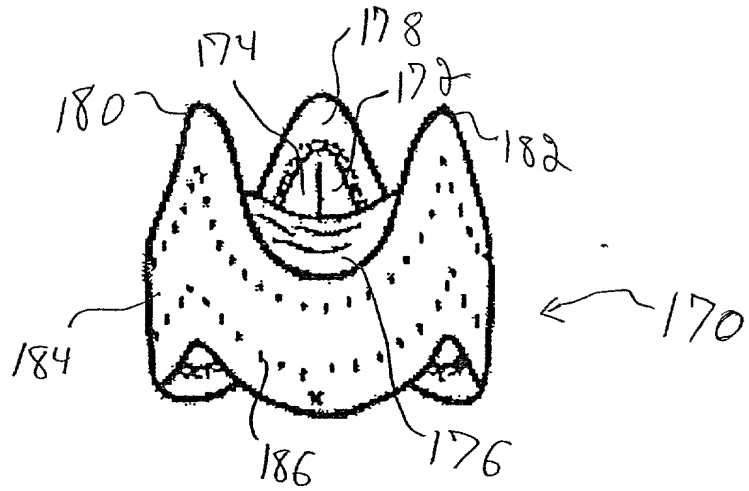
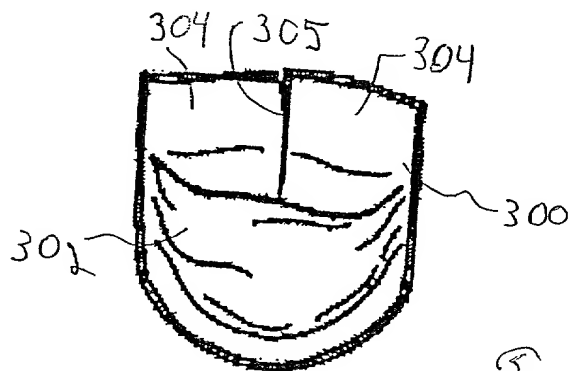
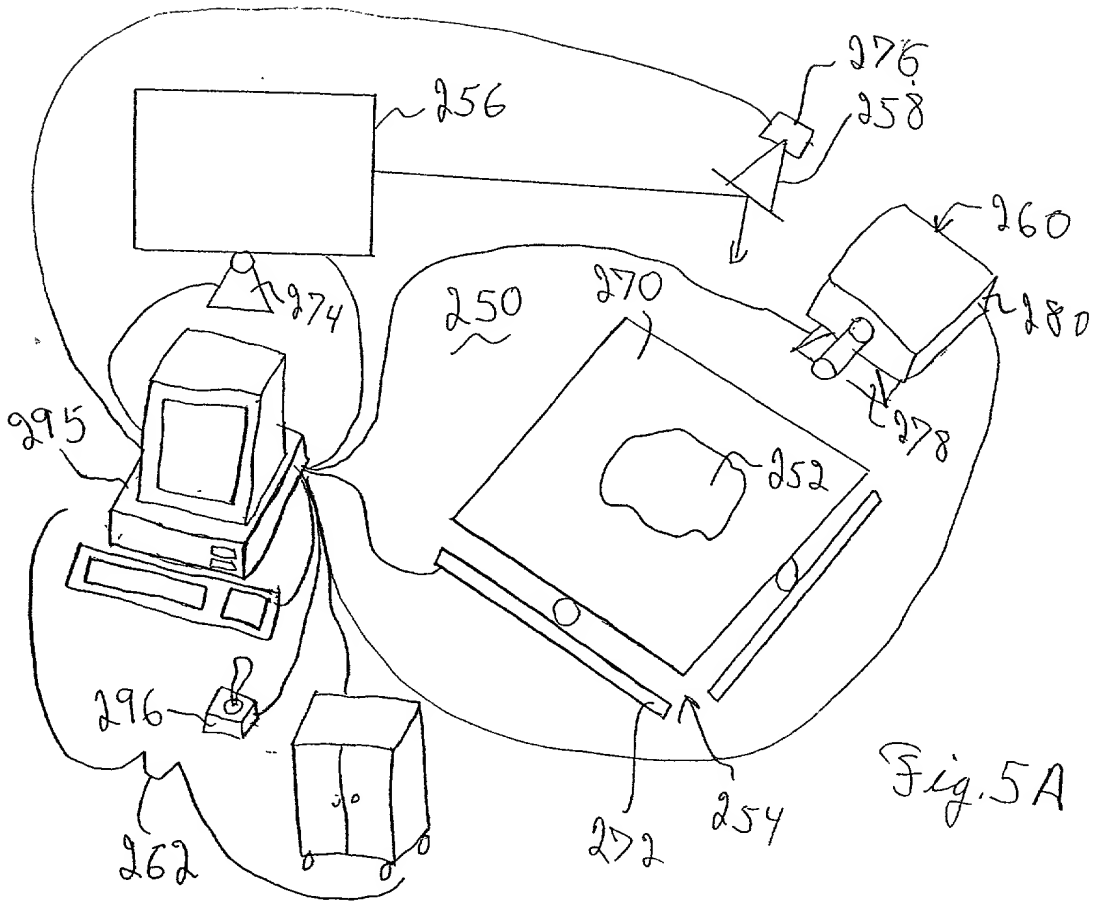


Fig. 4



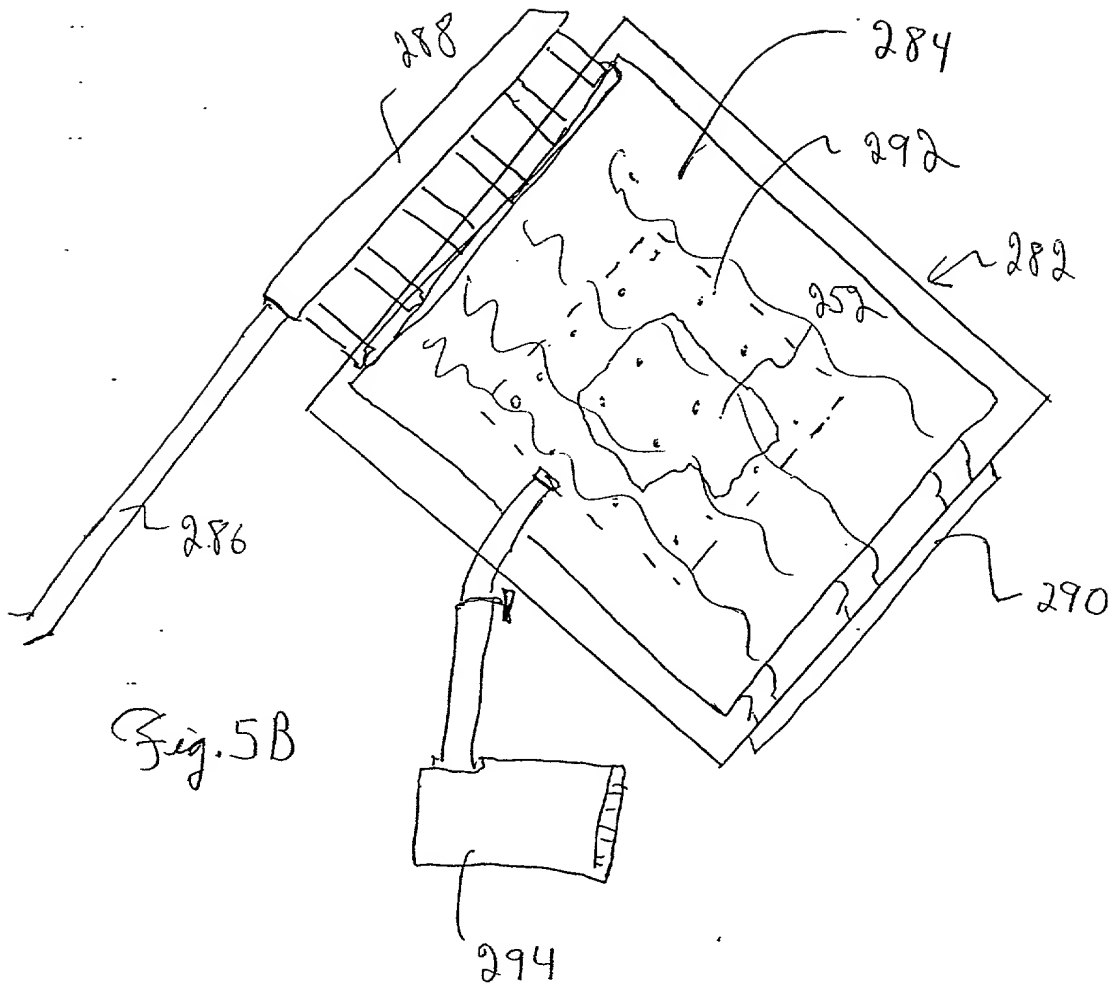


Fig. 5B

Patent Office

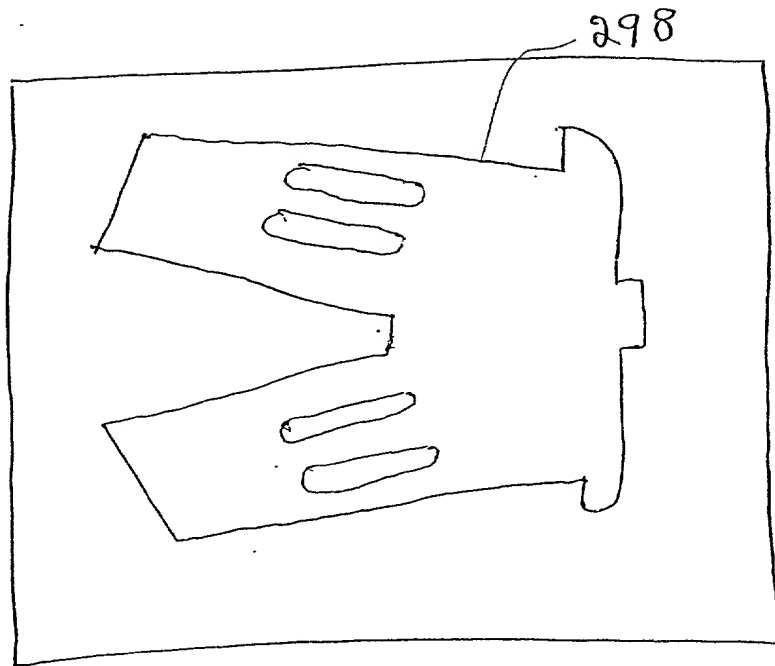


Fig. 6

Fig. 8

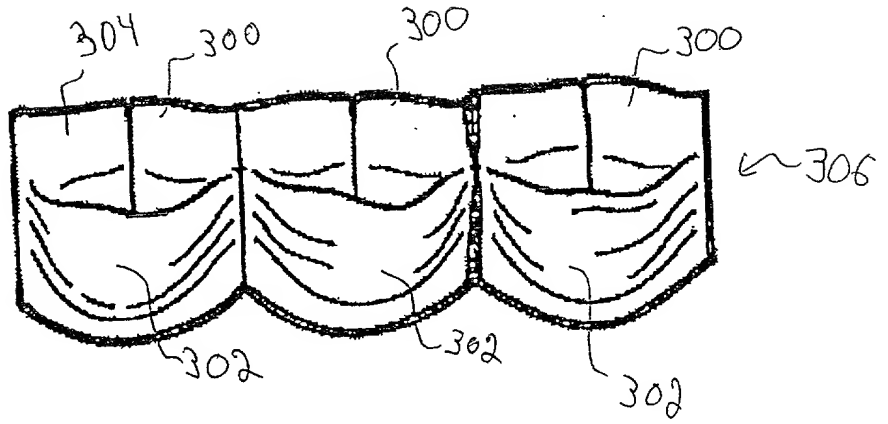


Fig. 9

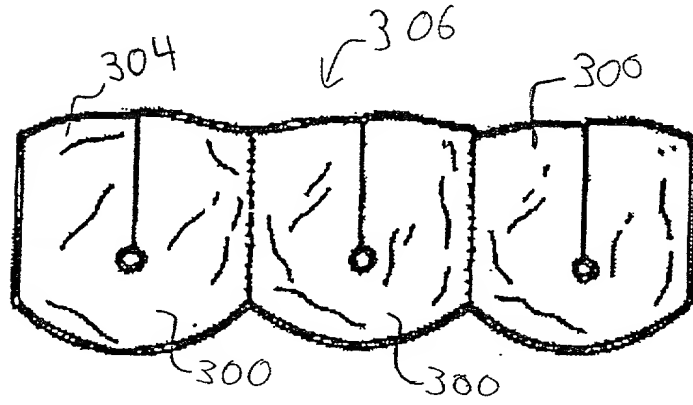
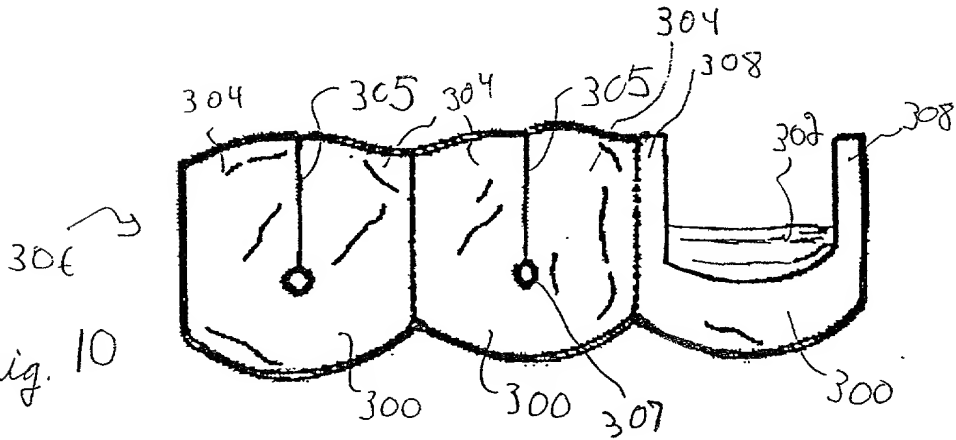


Fig. 10



Patent Application No. 2004/0100000

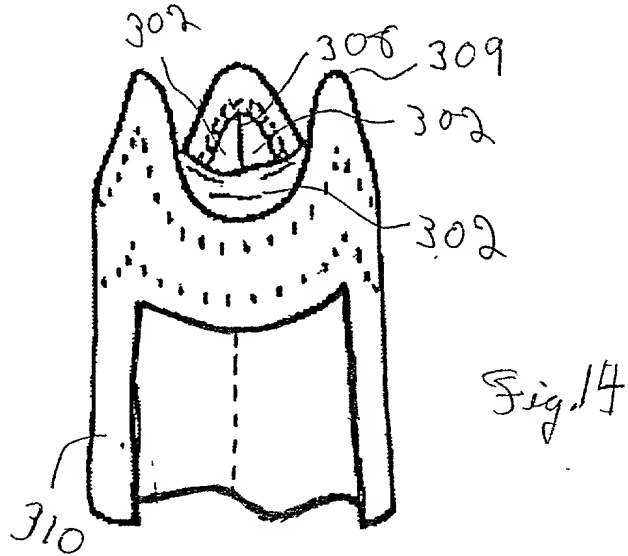
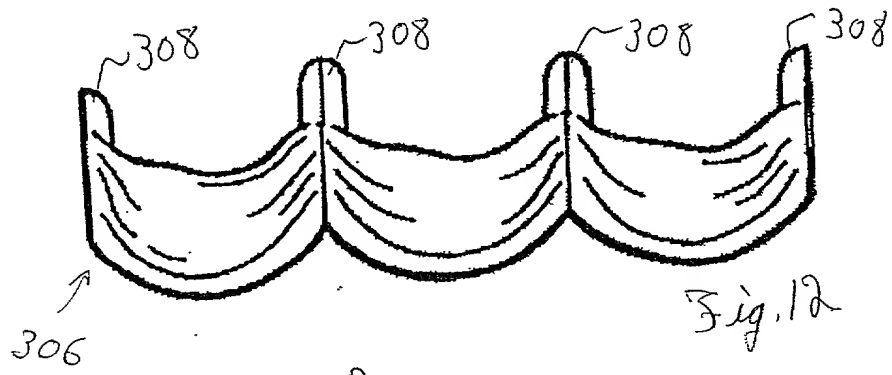
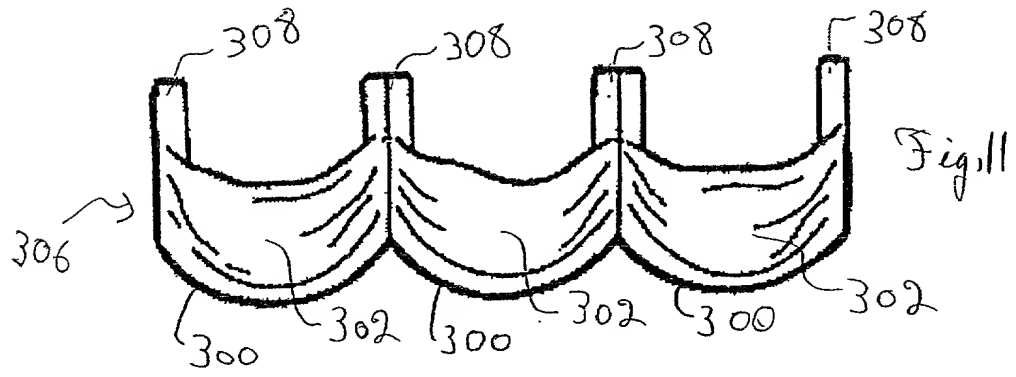
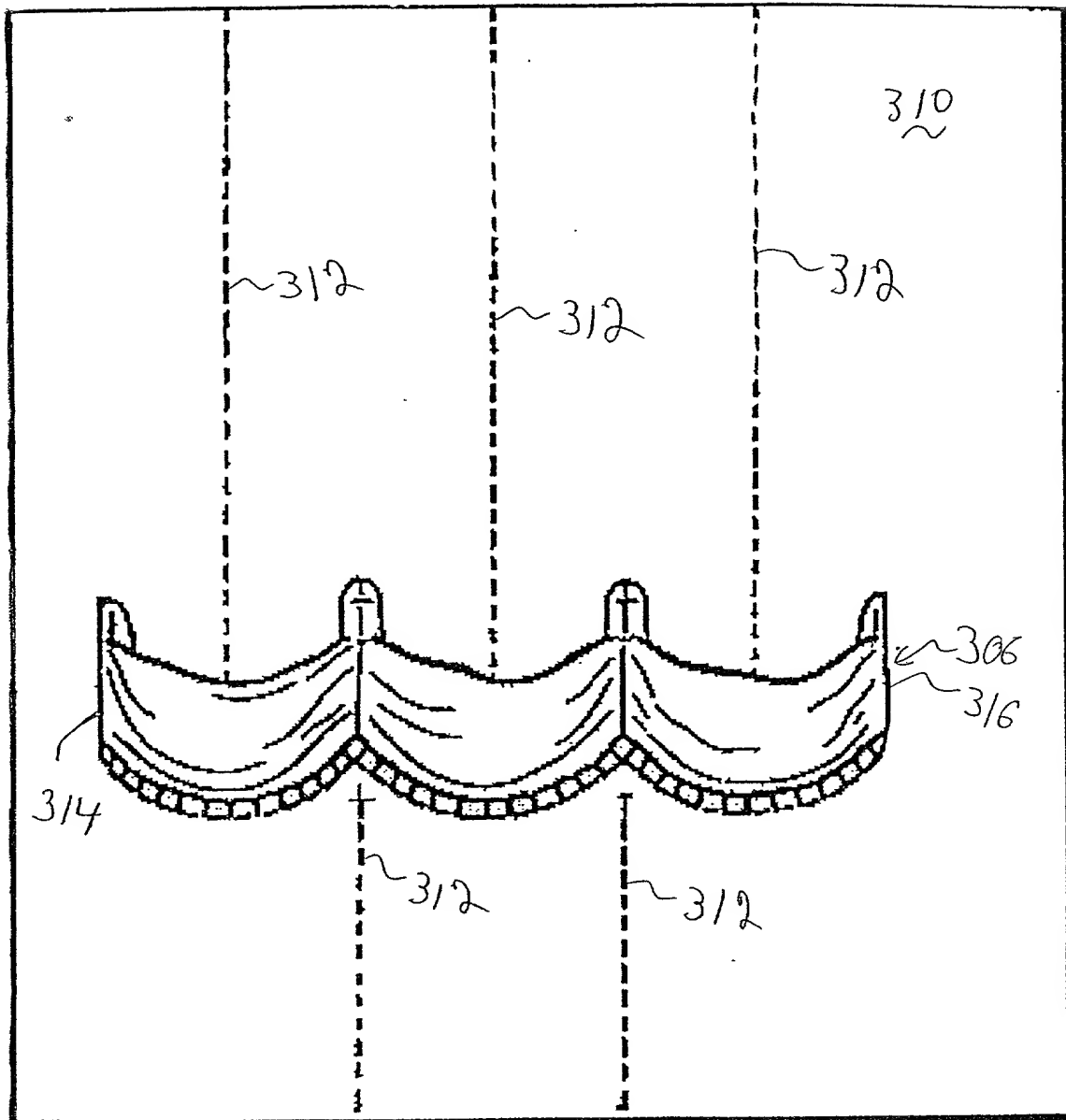


Fig. 13



Patented Feb 10 1903



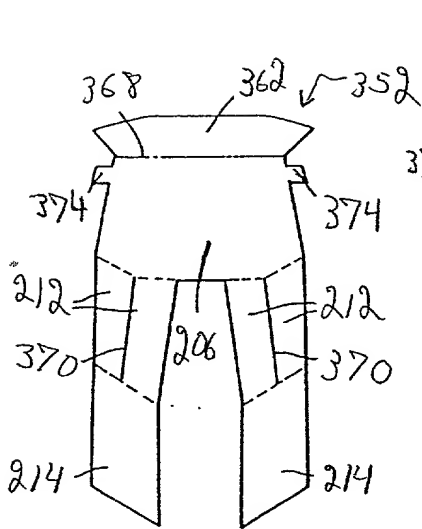


Fig. 16

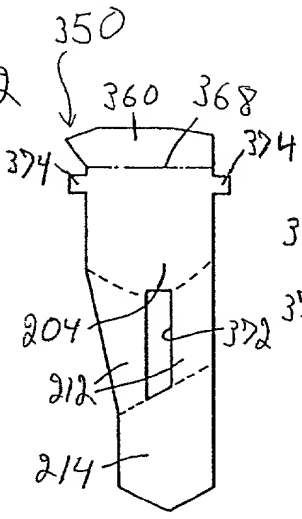


Fig. 15

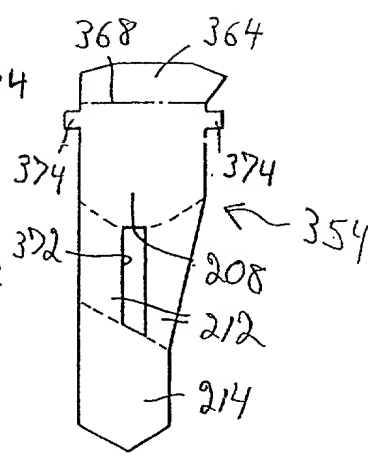


Fig. 17

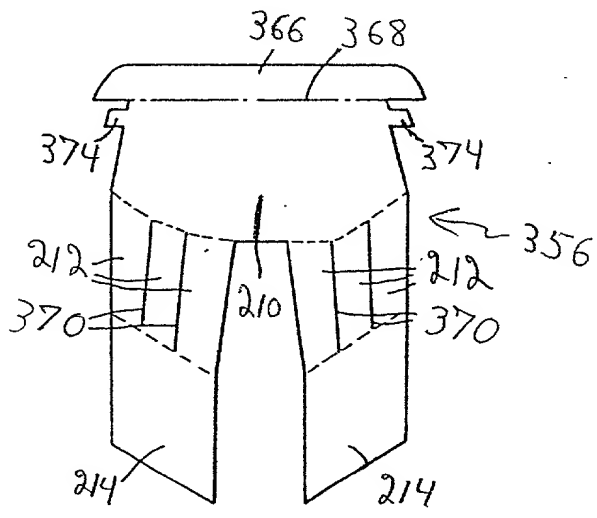
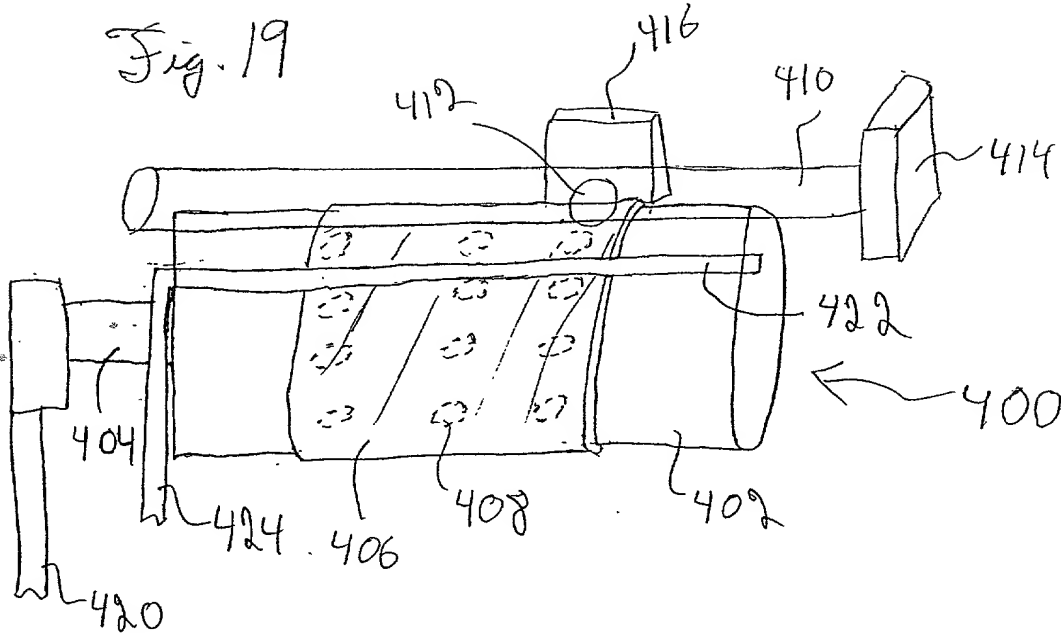


Fig. 18

Fig. 19



Preceded